

4

3

2

1

ISSUE #	DATE	DESCRIPTION	APP'D

D

D

C

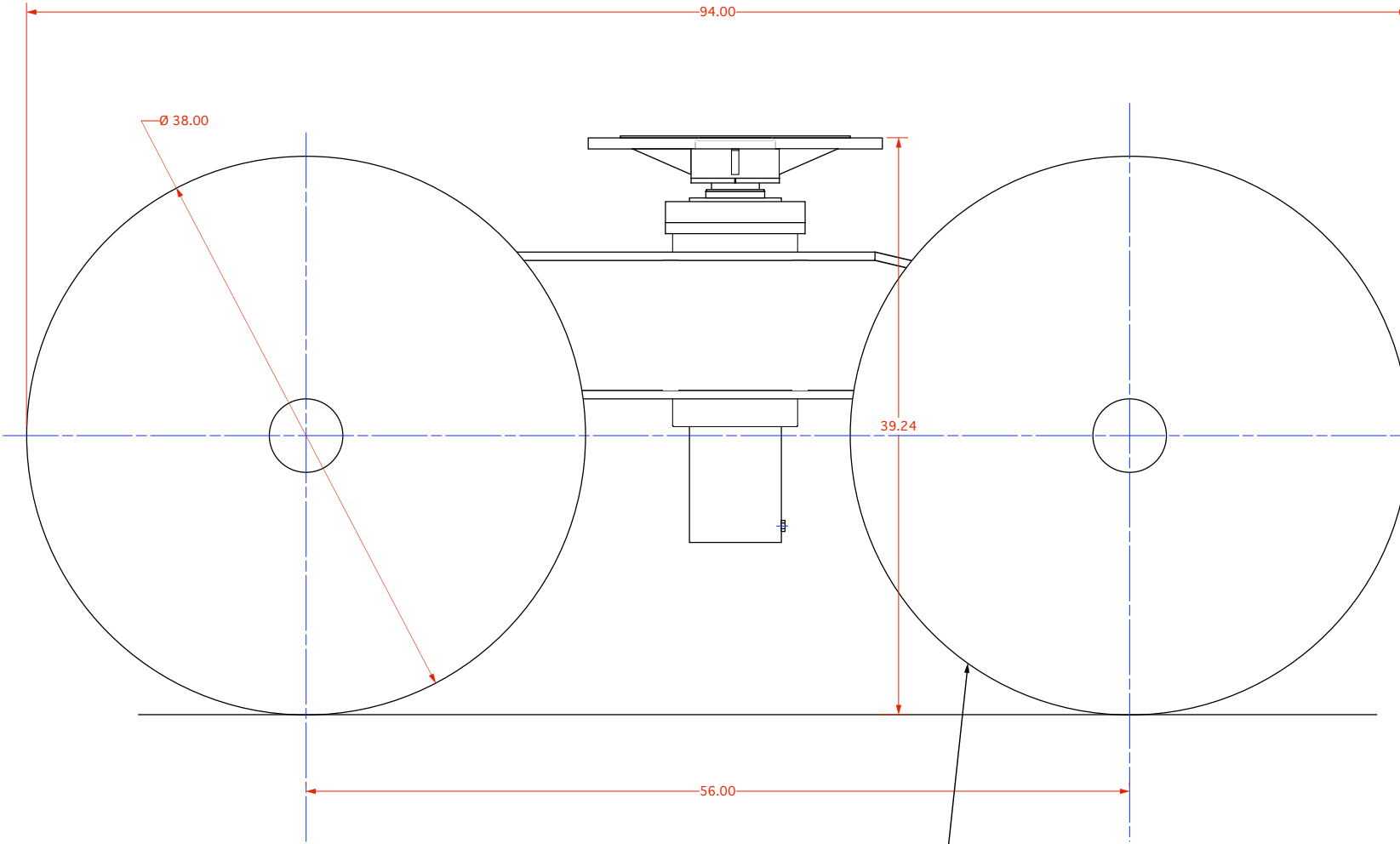
C

B

B

A

A



Dimensions for 22.5 Tires  
 All tire dimensions  $\pm 1/2"$   
 Do not scale print.

<b>Holland Moving &amp; Rigging</b>			
TITLE <i>Side View of Dollie, 22.5</i>			
PART NUMBER	DRAWN BY <i>CH</i>	DATE <i>8/20/01</i>	
CAD FILE NAME Side View	APPROVALS	SIZE <b>C</b>	

4

3

2

1